

ROAD BARRIERS LADY



- Electromechanical barrier for passages up to 4m, intensive use
- Easy to use external manual unlock device
- Slowing down setup thanks to two adjustable limit switches
- Speed, strength and soft stop/start adjustable for an always correct use and performance
- Possibility of integrated FTC.S photocells thanks to the innovative hide-away system that enables them to be perfectly integrated with the look, ensuring maximum functionality

**Equipped with
foundation plate**



LADY



Easy to use external unlock device



Stainless steel version available



New control panel with all the standard features and pull-out terminals

NOTES:

.....

.....

.....

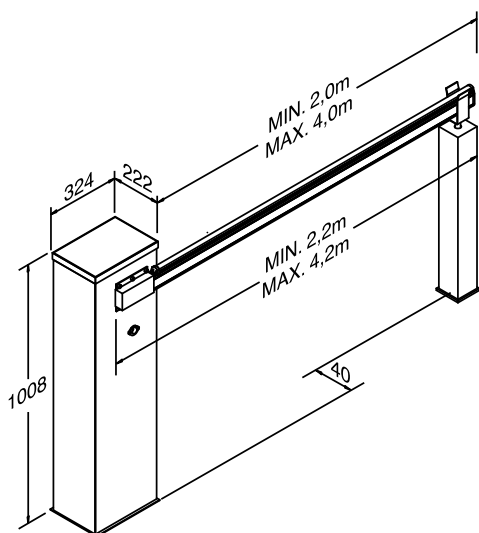
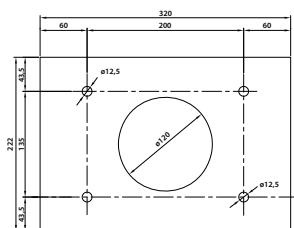
.....

.....

.....

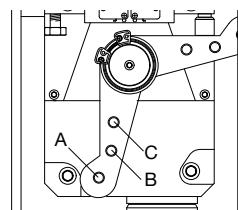


VE.PS



ACCESSORIES FOR USE

| | 2,2m | 2,7m | 3,2m | 3,7m | 4,2m |
|----------------------|------|------|------|------|------|
| LADY.A | C | C | C | B | A |
| LADY.P | C | C | B | B | A |
| VE.RAST | C | B | B | A | - |
| LADY.P+VE.RAST | C | B | B | A | - |
| LADY.P+VE.AM | C | B | B | A | - |
| LADY.P+VE.RAST+VE.AM | C | B | A | - | - |
| SC.RES | C | B | B | A | - |
| LADY.P+SC.RES | C | B | A | A | - |
| SC.RES+VE.AM | C | B | A | A | - |
| LADY.P+SC.RES+VE.AM | C | B | A | - | - |



LADY.P Protection profiles.
The installation of the VE.RAST interferes with the use of the SC.RES and vice versa. The installation of the LADY.L lights kit does not influence the balancing of the bar

TECHNICAL DATA

LADY

LADY.I

| | | |
|-----------------------------|---------------|---------------|
| Power supply | 230 Vac | 230 Vac |
| Motor supply | 24 Vdc | 24 Vdc |
| Max. Absorbed current | 1,6 A | 1,6 A |
| Torque | 205 Nm | 205 Nm |
| Opening speed | 3"-5" | 3"-5" |
| Operation cycle | intensive use | intensive use |
| Protection level | IP 44 | IP 44 |
| Operating Temp. | -20°C/+50°C | -20°C/+50°C |
| Weight | 52 Kg | 52 Kg |
| Items no. per pallet | 9 | 9 |