

ROAD BARRIERS VE.500



- Electromechanical barrier for passages up to 5m
- Intensive use and high reliability
 - Easy to install and set up
 - Stainless steel version available
- Possibility of integrated FTC.S photocells thanks to the innovative hide-away system that enables them to be perfectly integrated with the look, ensuring maximum functionality

**Equipped with
foundation plate**

**The standard road barriers are
equipped with 1 white spring**



VE.500

NOTES:

.....

.....

.....

.....

.....

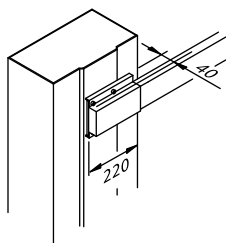
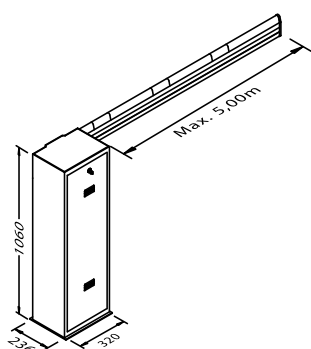
.....



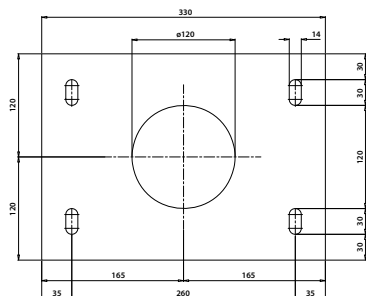
Perfect movements thank to three limit switches



Available in painted steel(VE.500) or stainless steel(VE.500I)



VE.P500



HOW TO CHOOSE THE TYPE OF SPRING AND THE POSSIBLE ACCESSORIES

CODE	TYPE OF SPRING	LENGHT OF ROAD BARRIER BEAM (m)	THE POSSIBLE ACCESSORIES
VE.500/1	1 yellow	2	VE.AM - VE.L500 - VE.SN500 - SC.RES - VE.RP
	1 yellow	2,5	-
	1 neutral	2,5	VE.AM - VE.L500 - VE.SN500 - SC.RES - VE.RP
	1 neutral	3	VE.AM - VE.L500 - VE.SN500 - SC.RES - VE.RP
	1 neutral	3,5	VE.AM - SC.RES - VE.L500 - VE.SN500 - VE.RAST - VE.RP
	1 neutral	4	VE.AM - SC.RES - VE.L500 - VE.SN500 - VE.RAST - VE.RP
	1 white	4,5	VE.AM - VE.L500 - VE.SN500 - SC.RES - VE.RP
	1 white	5	VE.AM - VE.L500 - VE.SN500 - SC.RES - VE.RP

TECHNICAL DATA

	VE.500	VE.500I
Power supply	230 Vac	230 Vac
Motor supply	24 Vdc	24 Vdc
Max. Absorbed current	1,6 A	1,6 A
Torque	205 Nm	205 Nm
Opening speed	3"-5"	3"-5"
Operation cycle	intensive use	intensive use
Protection level	IP 44	IP 44
Operating Temp.	-20°C/+50°C	-20°C/+50°C
Weight	57 Kg	57 Kg
Items no. per pallet	9	9